

# SOCIAL DIVIDER OPTIONS

the  
**sussexsign**  
company

*Nice people to do business with...*

[w sussexsigns.com](http://www.sussexsigns.com) | [t 01273 424900](tel:01273424900)



RETAIL / HOTELS / BANKS  
CONCEPTS





PEOPLE PROTECTION BARRIER OPTION / CHEMIST CONCEPT

the  
**sussexsign**  
company

*Nice people to do business with...*



PEOPLE PROTECTION BARRIER OPTION / BANK CONCEPT





PEOPLE PROTECTION BARRIER OPTION / HOTEL CONCEPT

the  
**sussexsign**  
company

*Nice people to do business with...*

**MEDICAL**  
CONCEPTS

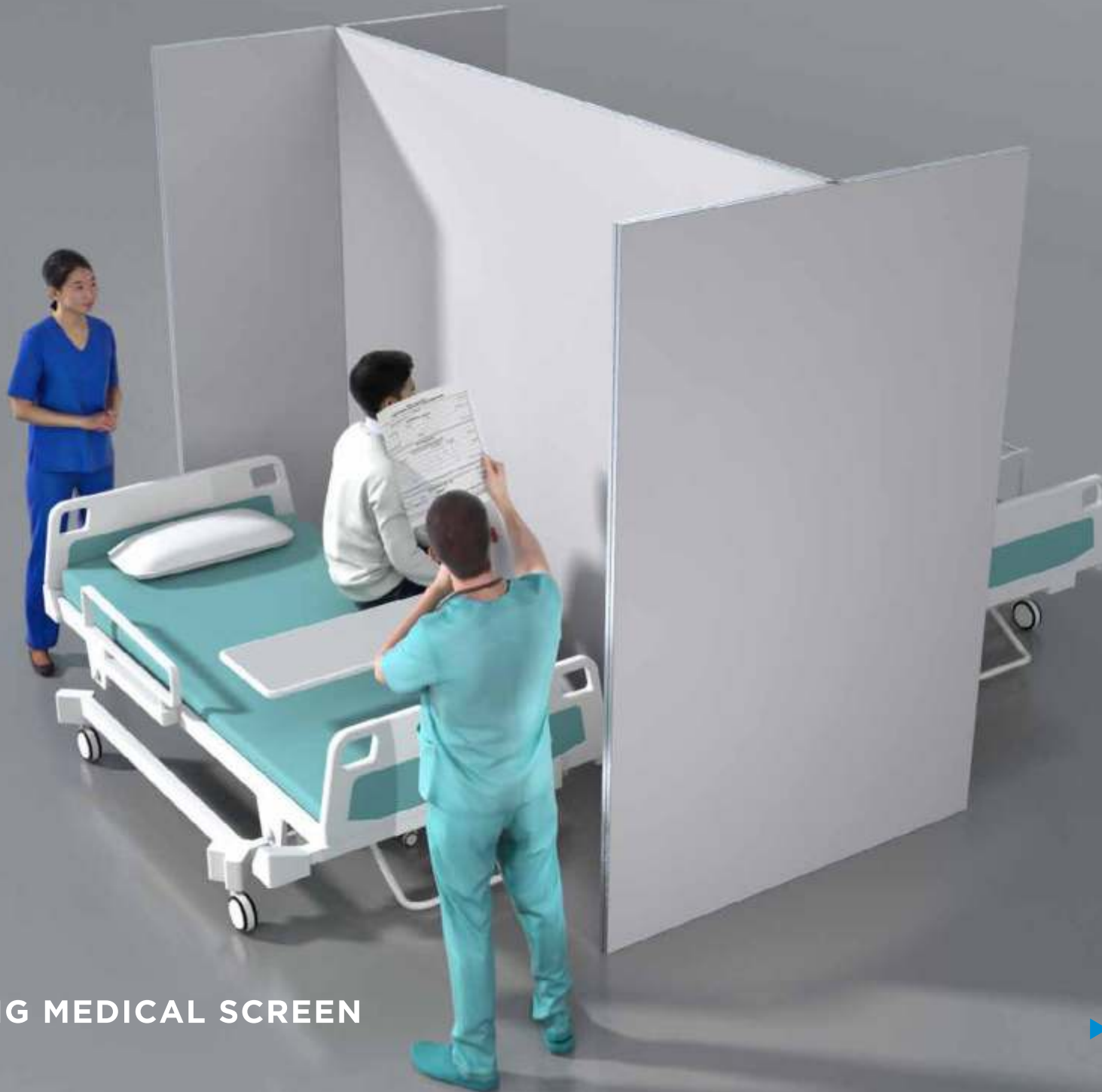




**FREESTANDING MEDICAL SCREEN**  
WITH FEET

the  
**sussex sign**  
company

*Nice people to do business with...*



**FREESTANDING MEDICAL SCREEN**  
WITH RETURNS

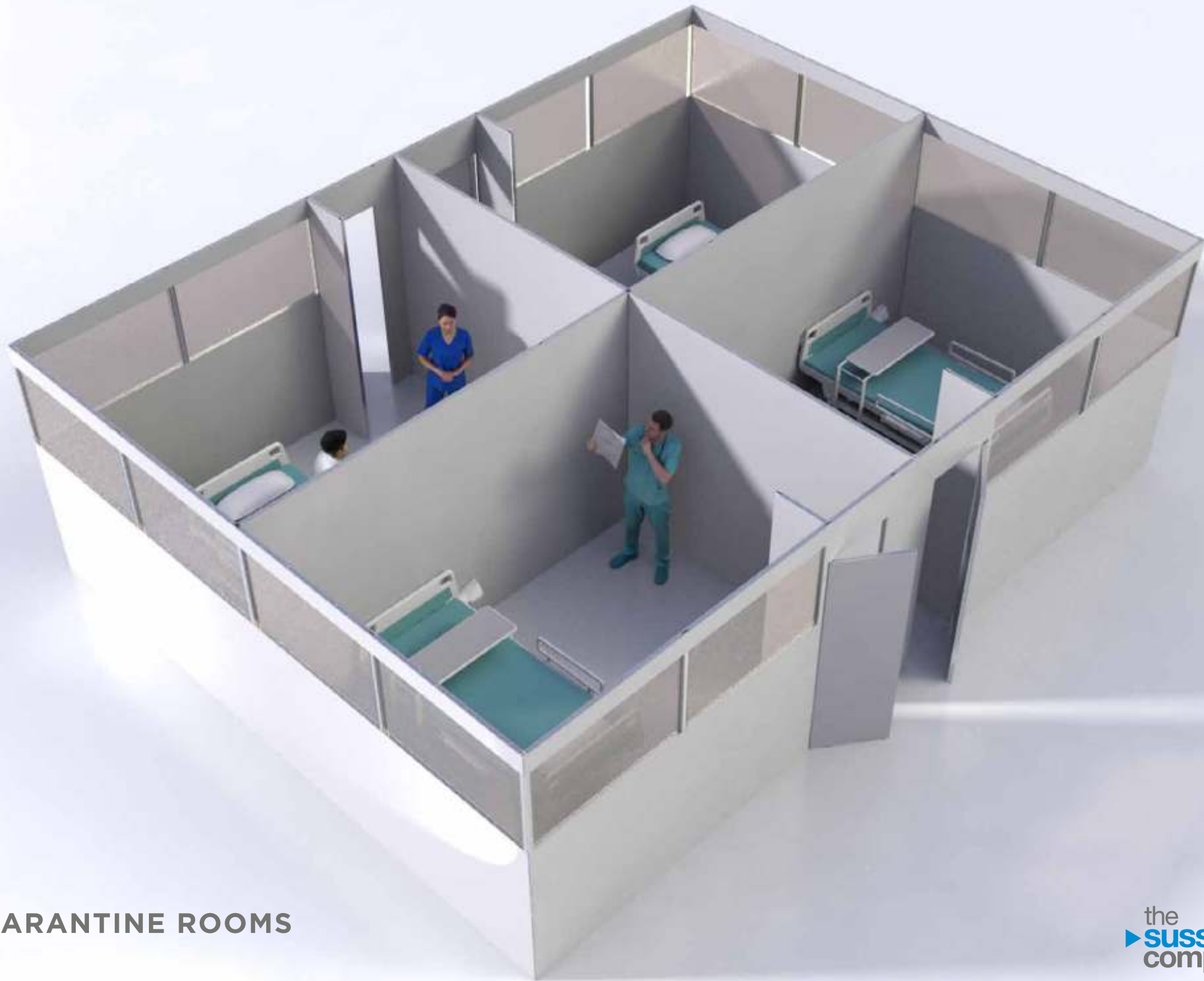
the  
**sussexsign**  
company

*Nice people to do business with...*





## MEDICAL BOOTHS



## QUARANTINE ROOMS

**VIDEO CONFERENCING**  
CONCEPTS



# SMALL FREESTANDING VIDEO CONFERENCE BACKDROP

WITH FEET





**FREESTANDING  
VIDEO  
CONFERENCE  
BACKDROP**

WITH FEET



**FREESTANDING  
VIDEO  
CONFERENCE  
BACKDROP  
(GREEN SCREEN)**

WITH FEET



RESTAURANT / CAFÉ  
CONCEPTS

the  
▶ **sussexsign**  
company





PEOPLE PROTECTION BARRIER OPTION / 4-WAY

the  
sussex sign  
company

*Nice people to do business with...*





PEOPLE PROTECTION BARRIER OPTION / BOOTH CONCEPT

the  
sussexsign  
company

*Nice people to do business with...*

**SOCIAL DISTANCING**  
CONCEPTS





# Save Lives

## Clean Your Hands

### How to Handrub?

**KEY POINTS FOR HAND HYGIENE: WHEN HANDS AREN'T VISIBLY DIRTY:**

- 1. Duration of the entire procedure: 20-30 seconds
- 2. Rub palms together to scrub thoroughly, using all surfaces
- 3. Rub palm against the back of the other hand, with fingers interlaced
- 4. Rub palm against the other palm, with fingers interlaced
- 5. Rub the back of the hand against the palm of the other hand, with fingers interlaced
- 6. Rub the thumb against the palm of the other hand
- 7. Rub the thumb against the palm of the other hand, with the thumb in a fist
- 8. Rub the thumb against the palm of the other hand, with the thumb in a fist
- 9. Rub the thumb against the palm of the other hand, with the thumb in a fist

#covid19prevention

#covid19prevention  
 #washyourhands  
 #keepyourdistance

LIGHT WEIGHT PRINTED BOARD  
 (CAN ALSO BE WALL MOUNTED)

SOCIAL DISTANCING SIGNAGE / FIN CONCEPT





**SOCIAL DISTANCING SIGNAGE / FLOOR DECALS CONCEPT**

BRANDED FLOOR DECALS  
EASILY INSTALLED + REMOVED  
ONTO ANY FLOOR SURFACE





YOUR LOGO  
HERE

**STOP  
THE  
SPREAD**

IF YOU ARE  
EXHIBITING ANY  
SYMPTOMS OF  
**CORONAVIRUS**



**DO NOT ENTER**

STAY AT LEAST 1.5 METRES AWAY  
FROM OTHER PEOPLE. COVER YOUR  
NOSE OR SNEEZE WITH YOUR  
ELBOW. AND ISOLATE.

SEEK MEDICAL HELP FROM A  
DOCTOR OR HOSPITAL. CALL AHEAD  
OF TIME TO BOOK AN APPOINTMENT.

IF YOU ARE UNSURE,  
CALL THE NATIONAL CORONAVIRUS  
HELPLINE FOR ADVICE  
**1800 020 080**

LIGHT WEIGHT FREE STANDING SIGNS /  
CAN BE SINGLE OR DOUBLE SIDED /  
FULLY BRANDED

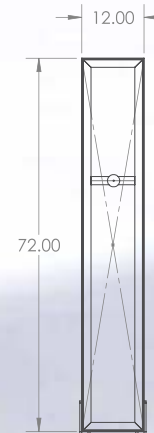
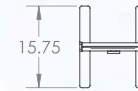
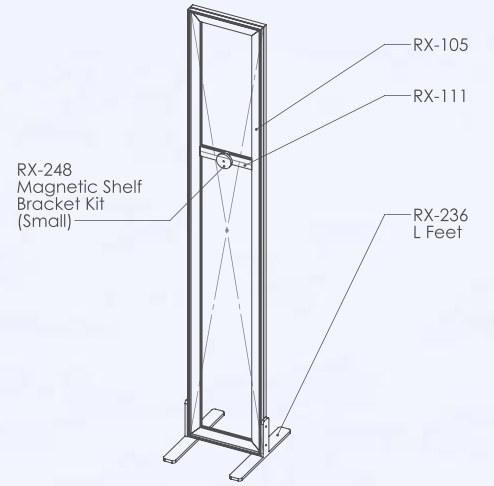
**SOCIAL DISTANCING SIGNAGE / FREESTANDING CONCEPT**

**HAND SANITIZER STATIONS**  
CONCEPTS



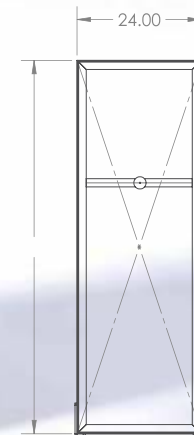
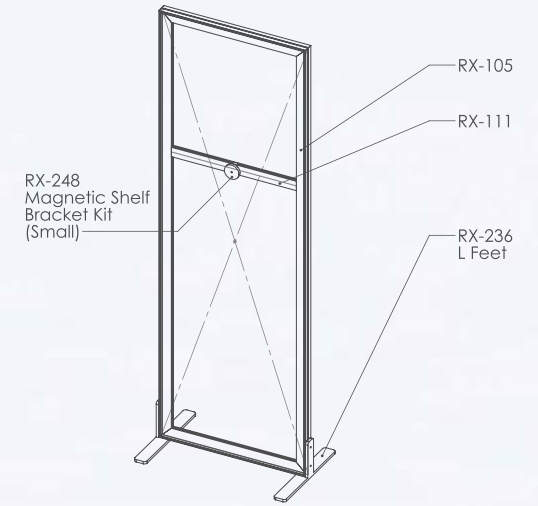
SLIM SANITIZER  
STATION  
OPTION

DOUBLE SIDED  
SLIM DESIGN  
FULLY BRANDED



FREE STANDING  
SANITIZER  
STATION  
**OPTION**

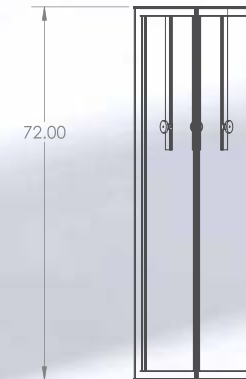
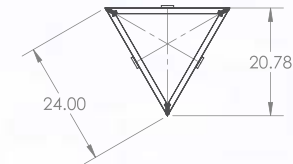
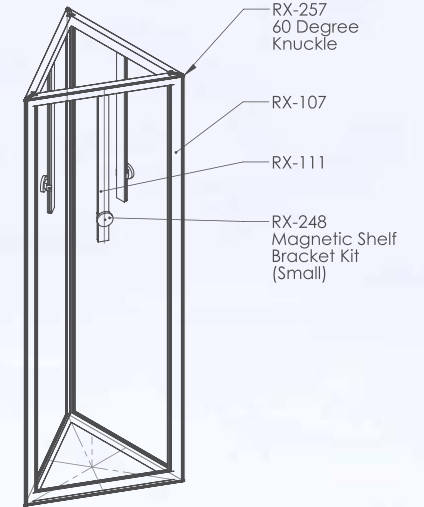
DOUBLE SIDED  
FULLY BRANDED





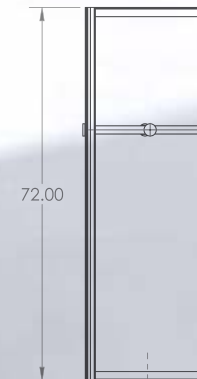
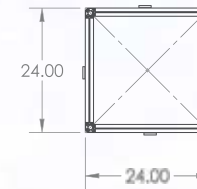
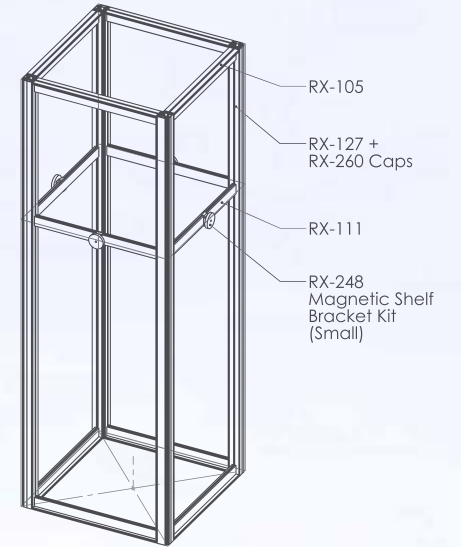
# 3-SIDED SANITIZER STATION OPTION

3-SIDED  
FULLY BRANDED



# CUBE SANITIZER STATION OPTION

4-SIDED  
FULLY BRANDED



2-4 foredown drive, portslade, BN41 2BB | **tel** 01273 424900  
**email** sales@sussexsigns.com | [sussexsigns.com](http://sussexsigns.com)

the  
**sussexsign**  
company

*Nice people to do business with..*

